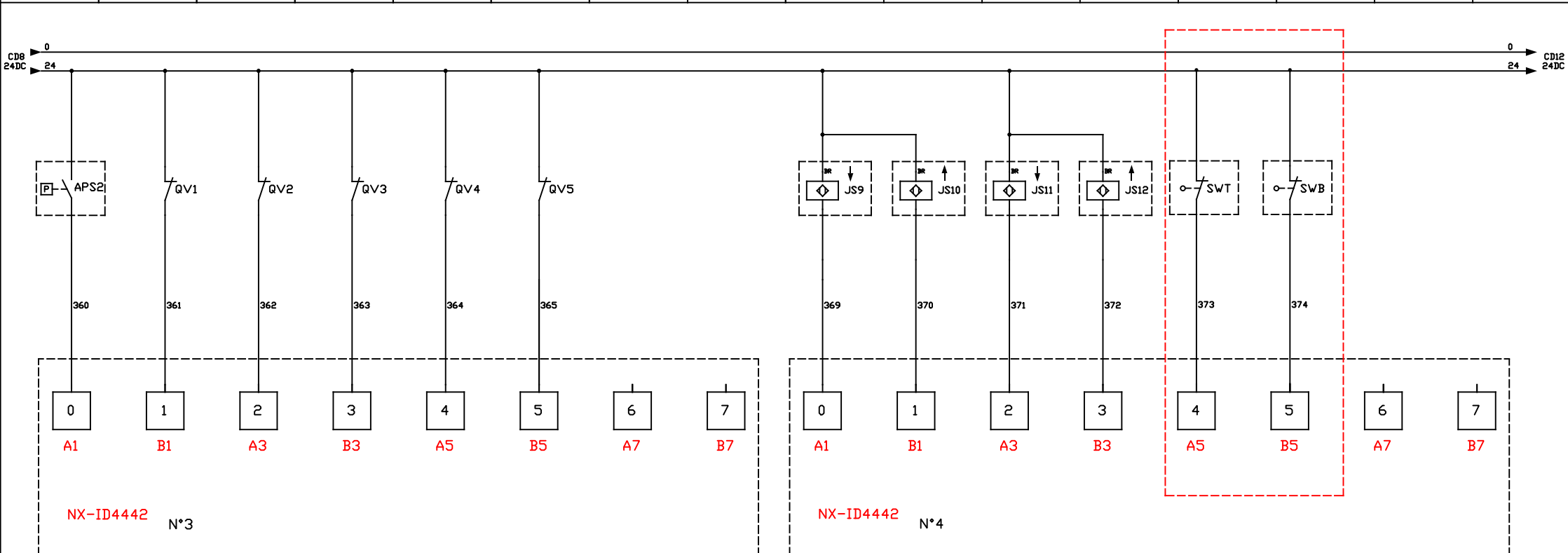
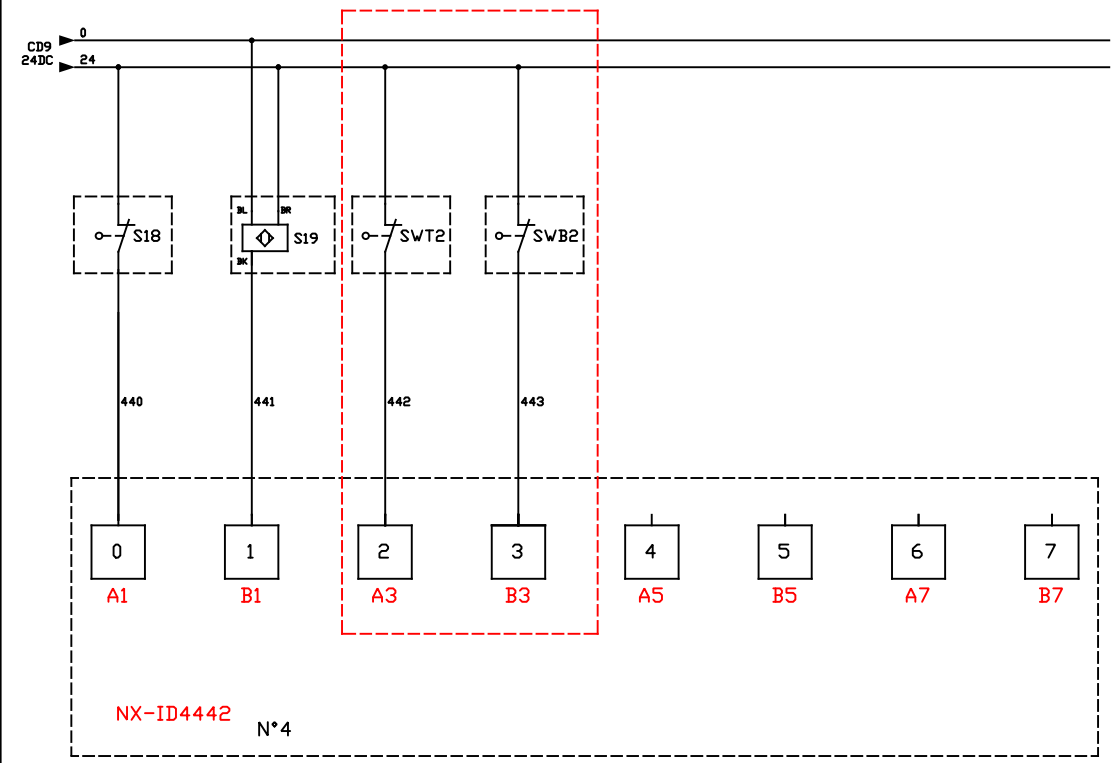


| | | | | | | | | | | | | | | | |
|--------------|------------------------------------|---------|---------|---------|---------------|---|---|---------------------|---------|-------------------|---------|-------------------------|---------------|----|----|
| 1 | 2 | 3 | 4 | 5 | 6 | 7 | 8 | 9 | 10 | 11 | 12 | 13 | 14 | 15 | 16 |
| Pressostat | Défaut Disjoncteur de Ventilateurs | | | | | | | Porte Entrée Four | | Porte Sortie Four | | Montée/Descente tiroirs | | | |
| Extra Solv | Four 1 | Four 2 | Four 3 | Four 4 | Extract. Four | | | Fermé | Duverte | Fermé | Duverte | Sécu. Haut | Sécu. Bas | | |
| ASP2 | QV1 | QV2 | QV3 | QV4 | QV5 | | | JS9 | JS10 | JS11 | JS12 | SWT | SWB | | |
| Pressostat | Th. Fault Blowers | | | | | | | Dryer Entrance Door | | Dryer Exit Door | | Up / Down drawers | | | |
| Solv. Exhau. | Dryer 1 | Dryer 2 | Dryer 3 | Dryer 4 | Exhaust Dryer | | | Closed | Opened | Closed | Opened | Safety Switches | | | |
| | | | | | | | | | | | | Safety top | Safety Bottom | | |



AD SECTION

| | | | | | | | | | | | | | | | |
|--------------|-------------------|-------------------------|---------------|---|---|---|---|---|----|----|----|----|----|----|----|
| 1 | 2 | 3 | 4 | 5 | 6 | 7 | 8 | 9 | 10 | 11 | 12 | 13 | 14 | 15 | 16 |
| Capteur | Cellule détection | Montée/Descente tiroirs | | | | | | | | | | | | | |
| Capot Sortie | Pin Bar | Sécu. Haut | Sécu. Bas | | | | | | | | | | | | |
| S18 | S19 | SWT2 | SWB2 | | | | | | | | | | | | |
| Exit Cover | Pin Bar | Up / Down drawers | | | | | | | | | | | | | |
| Switch | Position Sensor | Safety Switches | | | | | | | | | | | | | |
| | | Safety top | Safety Bottom | | | | | | | | | | | | |



LFS SECTION